

BLOCK A  
SCALE: 1:200

KEYPLAN

- FOR SETTING OUT REFER TO ARCHITECT'S DRAWINGS.
- THIS DRAWING TO BE READ IN CONJUNCTION WITH ALL OTHER ARCHITECTURAL AND ENGINEERING DRAWINGS AND ALL OTHER RELEVANT DRAWINGS AND SPECIFICATIONS.
- DO NOT SCALE THIS DRAWING. USE FIGURED DIMENSIONS ONLY.
- NO PART OF THIS DOCUMENT MAY BE REPRODUCED OR TRANSMITTED IN ANY FORM OR STORED IN ANY RETRIEVAL SYSTEM OF ANY NATURE WITHOUT THE WRITTEN PERMISSION OF O'CONNOR SUTTON CRONIN AS COPYRIGHT HOLDER EXCEPT AS AGREED FOR USE ON THE PROJECT FOR WHICH THE DOCUMENT WAS ORIGINALLY ISSUED.

**NOTE**

1. PILES TO BE CFA TYPE BORED CAST IN-SITU.
2. ALL PILES TO BE SOCKETED A MINIMUM 1m INTO COMPETENT BEDROCK.
3. PILE SAFE WORKING LOAD OF 1500kN PER PILE

**BEAM LEGEND**

--- RC GROUND BEAM (UNLESS NOTED OTHERWISE)

**PILE LEGEND**

PC1-PILECAP WITH 1NO. 600 DIAMETER PILE  
 PC2-PILECAP WITH 2NO. 600 DIAMETER PILES  
 PC3-PILECAP WITH 3NO. 600 DIAMETER PILES  
 PC4-PILECAP WITH 4NO. 600 DIAMETER PILES

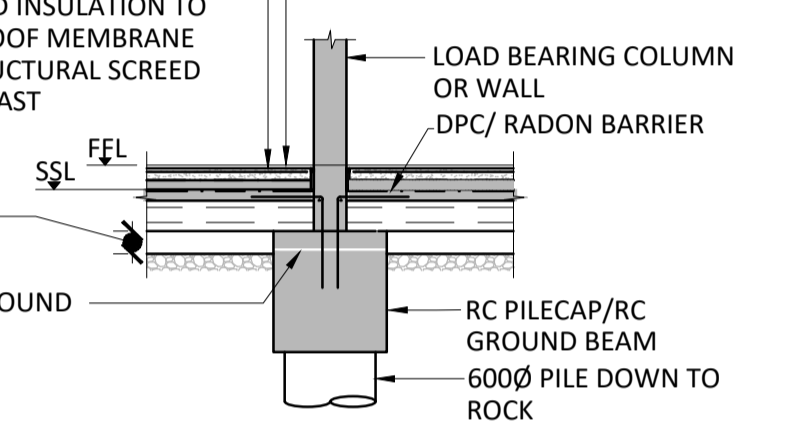
**NOTE**

NOTE-DETAILS SHOWN ARE INDICATIVE FOR PLANNING PURPOSES AND SUBJECT TO CONFIRMATION AT DETAILED DESIGN STAGE

FINISHES TO ARCH'S DETAIL

SCREED WITH A142 MESH ON 0.15mm THICK POLYETHENE FILM ON RIGID INSULATION TO ARCH'S DETAIL ON GAS PROOF MEMBRANE TO SPECIFICATION ON STRUCTURAL SCREED WITH A252 MESH ON PRECAST HOLLOWCORE UNIT

CLEAR VOID FOR PASSIVE VENTILATION  
 TUBES TO BE CAST INTO GROUND BEAMS @ 3m c/c

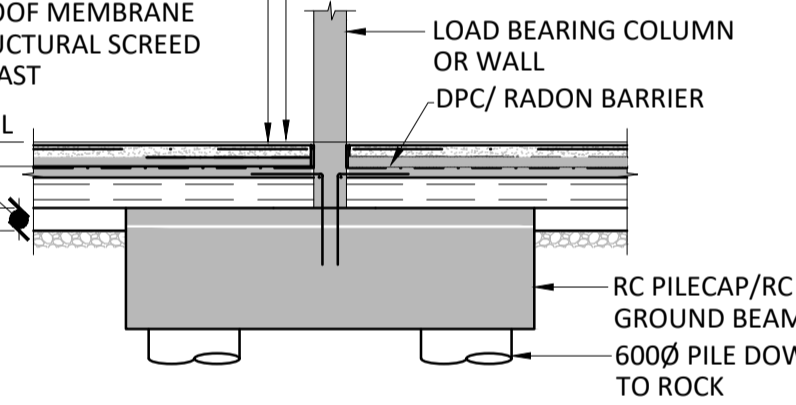


TYPICAL FOUNDATION DETAIL-FOR PC1 & PC2  
SCALE 1:50

FINISHES TO ARCH'S DETAIL

SCREED WITH A142 MESH ON 0.15mm THICK POLYETHENE FILM ON RIGID INSULATION TO ARCH'S DETAIL ON GAS PROOF MEMBRANE TO SPECIFICATION ON STRUCTURAL SCREED WITH A252 MESH ON PRECAST HOLLOWCORE UNIT

CLEAR VOID FOR PASSIVE VENTILATION



TYPICAL FOUNDATION DETAIL-FOR PC3 & PC4  
SCALE 1:50

Rev No.	Date	Revision Note	Drn by
P01	22/09/22	SUITABLE FOR REVIEW/COMMENTS	NAT
P02	27/09/22	SUITABLE FOR STAGE APPROVAL: PLANNING	MMCF



Head Office,  
 9 Prussia Street,  
 Dublin 7,  
 D07 KT57

TEL +353 (0)1 8682000  
 e: [contactus@ocsc.ie](mailto:contactus@ocsc.ie)  
 w: [www.ocsc.ie](http://www.ocsc.ie)

Dublin | London | Belfast | Galway | Cork | Birmingham



Client: Dublin City Council  
 Project: Proposed Development at Emmet Road

Title: Foundation Layout  
 Block A

Code	Originator	Zone	Level	Type	Role	Number	Status	Revision
B967	OCSC	XX	FN	DR	S	0001	S4	P02

Date: SEP'22 Scale: A/S @ A1 Drn by: NAT Chkd by: I/C Aprvd by: PH